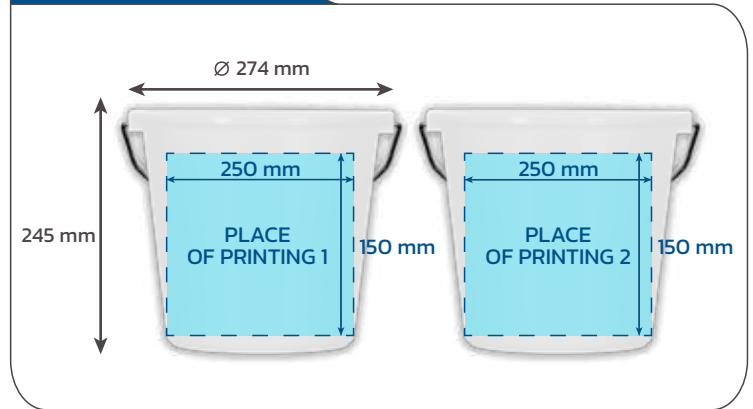


W000010



Dimensions/place of printing



General Information

Date of Creation	21.10.2024
Contact	info@bott.pl
Product name	Bucket EKO 10 l
Catalog number	W000010
Description	A plastic bucket for measuring bulk products and liquids with a maximum capacity of 10 000 ml, reusable.
Standard colors	MOQ 100 pcs.
Individual colors	MOQ 1000 pcs.

Product Specifications

Brand	BOTT
Max dimensions	H= 245 mm, Ø 274 mm
Weight	25 g
Total volume	10 000 ml
Scale	embossed scale in ml
Material	Polypropylene (PP)
Print area	250/150 mm x2
Country of origin	Poland
Customs code	3923 30 90
Certificate	REACH Regulation
Lead time	approx. 2-4 weeks

Packaging

Bulk carton	_____
Pallet 120/80 cm	max. 1 000 pcs., weight 270 kg

EKO 5 l

EKO 10 l

